



# SET UP

# FIIO



RACE	<input type="text"/>	DATE	<input type="text"/>
TRACK	<input type="text"/>	QUALIFYING POSITION	<input type="text"/>
DRIVER	<input type="text"/>	QUALIFYING TIME	<input type="text"/>
SURFACE:	ASPHALT <input type="checkbox"/>	CARPET <input type="checkbox"/>	
TRACTION:	LOW <input type="checkbox"/>	MEDIUM <input type="checkbox"/>	HIGH <input type="checkbox"/>
TRACK TEMP	<input type="text"/>	AIR TEMP	<input type="text"/>
		STARTING POSITION	<input type="text"/>
		FINAL POSITION	<input type="text"/>

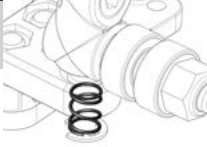
**FRONT SPRINGS (lbs)**

18

22

26

Other (brand/type):



**FRONT RIDE HEIGHT SPACERS**

**SPACERS**

mm



**CENTRAL SHOCK**

Shocktower position



**CENTER SPRING**

Gray  White

Black  Yellow

Green  Orange

Other (brand/type):

**SHOCK OIL**  cst

**PISTON HOLES**



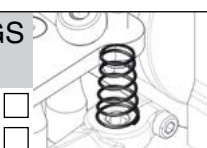
**SIDE SPRINGS (lbs)**

4.5  6.0

5.0  6.5

5.5  7.0

Other (brand/type):



**CENTRAL TUBE**



**OIL**  cst

**REAR AXLE INSERT**


0/0  0/25

0/5  0/30

0/10  0/35

0/15  0/40

0/20



**REMARKS**

## FRONT

TRACK WIDTH: STANDARD  WIDE

ROLL CENTER AND WISHBONE ANGLE

Shims Rear mm

Shims Front mm

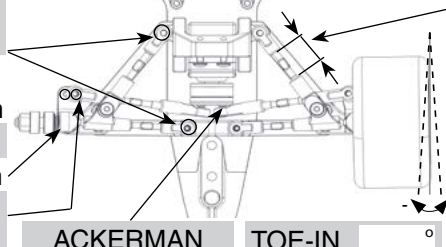
OFFSET

Shims mm

STEERING ROD POSITION

ACKERMAN

TOE-IN



**CASTER (link length)**

Standard		Wide
15.7 mm	0° <input type="checkbox"/>	14 mm
15 mm	3° <input type="checkbox"/>	13.4 mm
14.4 mm	6° <input type="checkbox"/>	12.8 mm
13.9 mm	9° <input type="checkbox"/>	12.2 mm

**CAMBER**

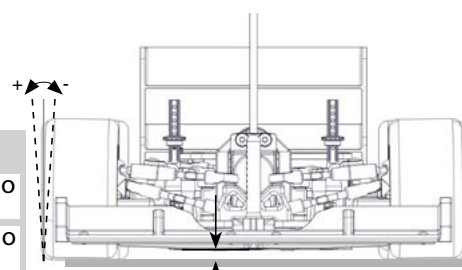
R  °

L  °

RIDE HEIGHT WITH TYRE Ø

mm

mm



**FRONT TIRES**

Type: Rubber  Foam

Brand

Hardness

Diameter  mm

Additive

Additive time  min

Treated surface  %

## REAR

**REAR TIRES**

Type: Rubber  Foam

Brand

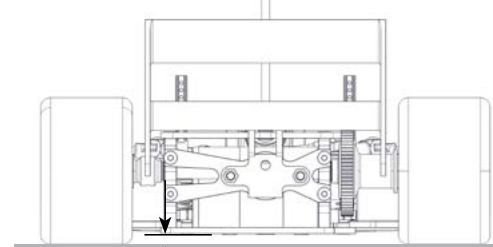
Hardness

Diameter  mm

Additive

Additive time  min

Treated surface  %



**RATIO CONFIGURATION**

**SPUR GEAR**

Pitch  Teeth

**PINION**

Pitch  Teeth

Final drive ratio

Rollout  mm

**AERODYNAMIC CONFIGURATION**

**BODY**

Brand  Type

**FRONT WING**

Brand  Type

**REAR WING**

Brand  Type

## ELECTRONICS

**BATTERY: STANDARD  SHORTY**

Brand  Capacity

**MOTOR**

Brand  Type  Timing

**ESC**

Brand  Type

Configuration