



SET UP

F110



RACE	Basic setup Carpet/Foam	DATE	
TRACK		QUALIFYING POSITION	
DRIVER		QUALIFYING TIME	
SURFACE:	ASPHALT <input type="checkbox"/> CARPET <input checked="" type="checkbox"/>	STARTING POSITION	
TRACTION:	LOW <input type="checkbox"/> MEDIUM <input type="checkbox"/> HIGH <input type="checkbox"/>	FINAL POSITION	
TRACK TEMP		AIR TEMP	

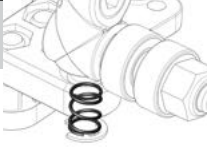
FRONT SPRINGS (lbs)

18

22

26

Other (brand/type): /



FRONT RIDE HEIGHT SPACERS

SPACERS 2.5 mm



CENTRAL SHOCK

Shocktower position



CENTER SPRING

Gray White

Black Yellow

Green Orange

Other (brand/type): /

SHOCK OIL 600 cst

PISTON HOLES



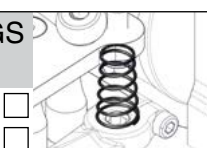
SIDE SPRINGS (lbs)

4.5 6.0

5.0 6.5

5.5 7.0

Other (brand/type): /



CENTRAL TUBE



OIL 40.000cst

REAR AXLE INSERT


0/0 0/25

0/5 0/30

0/10 0/35

0/15 0/40

0/20



REMARKS

FRONT

TRACK WIDTH: STANDARD WIDE

ROLL CENTER AND WISHBONE ANGLE

Shims Rear 2 mm

Shims Front 2 mm

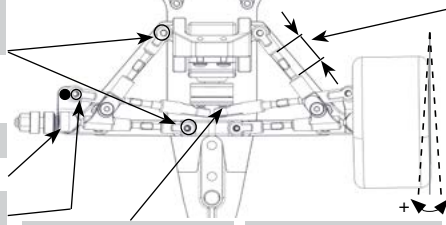
OFFSET

Shims mm

STEERING ROD POSITION

ACKERMAN TOE-IN -1°

Shims 1.0 mm Shims 0 mm



CASTER (link length)

Standard	Wide
15.7 mm 0° <input type="checkbox"/>	14 mm
15 mm 3° <input checked="" type="checkbox"/>	13.4 mm
14.4 mm 6° <input type="checkbox"/>	12.8 mm
13.9 mm 9° <input type="checkbox"/>	12.2 mm

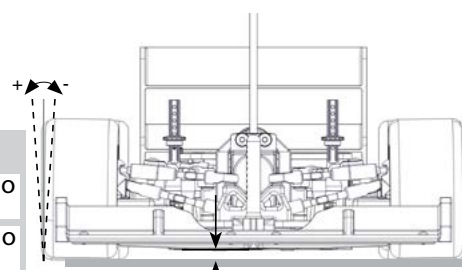
CAMBER

R -0.5°

L -0.5°

RIDE HEIGHT 5 mm

WITH TYRE Ø mm



FRONT TIRES

Type: Rubber Foam

Brand

Hardness

Diameter mm

Additive

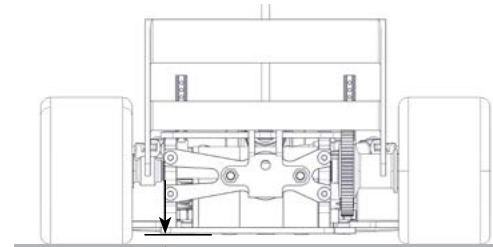
Additive time min

Treated surface %

REAR

RIDE HEIGHT 5 mm

WITH TYRE Ø mm



REAR TIRES

Type: Rubber Foam

Brand

Hardness

Diameter mm

Additive

Additive time min

Treated surface %

RATIO CONFIGURATION

SPUR GEAR

Pitch Teeth

PINION

Pitch Teeth

Final drive ratio

Rollout mm

AERODYNAMIC CONFIGURATION

BODY

Brand Type

FRONT WING

Brand Type

REAR WING

Brand Type

ELECTRONICS

BATTERY: STANDARD **SHORTY**

Brand Capacity

MOTOR

Brand Type Timing

ESC

Brand Type Configuration