

F104 VET II PRO CHASSIS KIT

SETTING SHEET
Ver 1.00

Name **Rob King**

Date **10/23/12**

Air temp. **70**

Humidity

Track **Harbor Hobby**

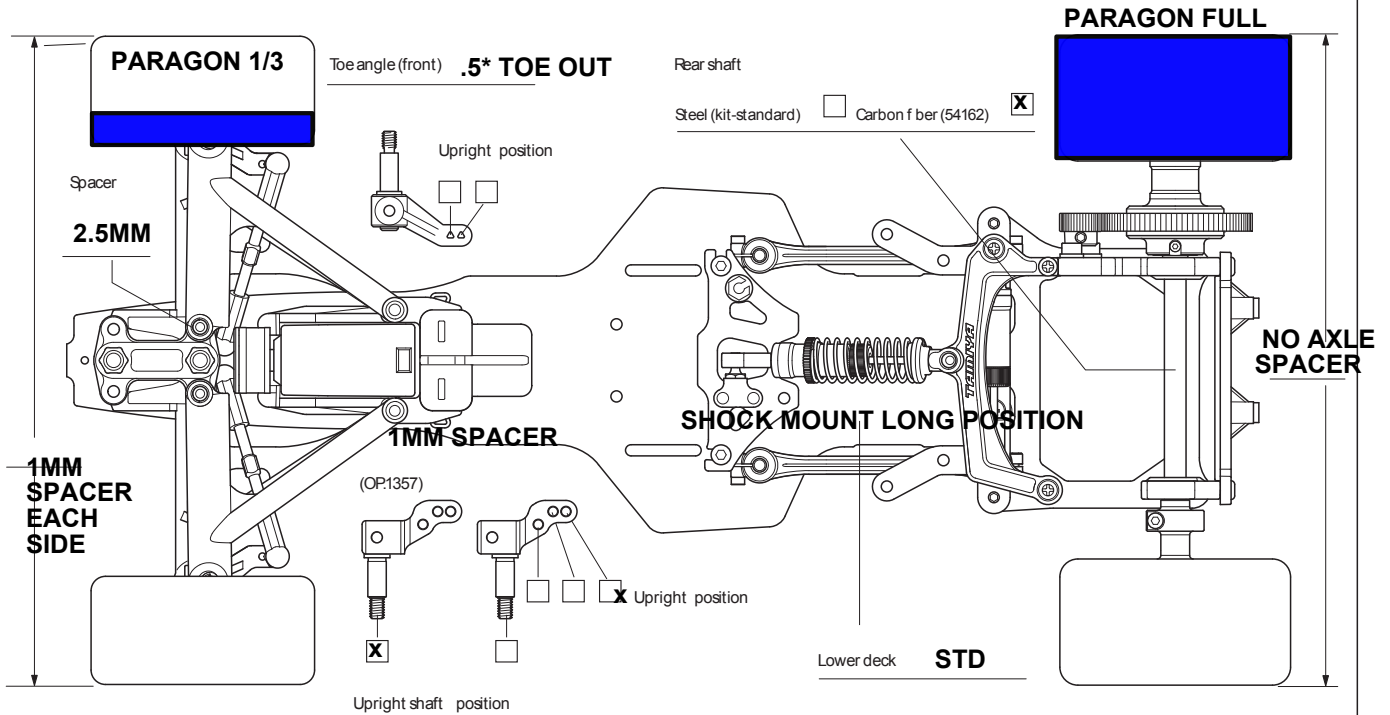
Asphalt

Carpet

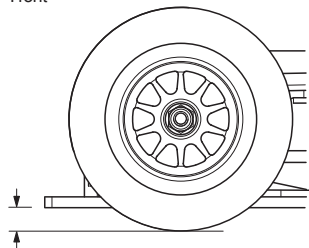
Track condition

Med-Hi grip

Track temp.



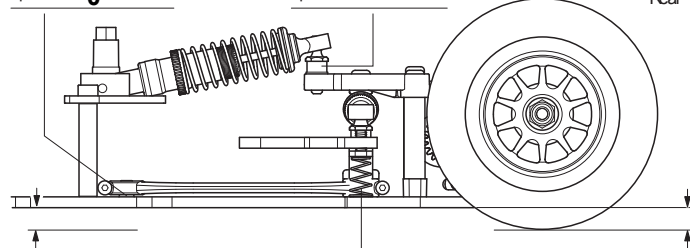
Front



Spacer **0**

Spacer **5MM**

Rear

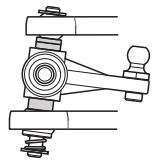


Front spring

Soft

Medium

Hard

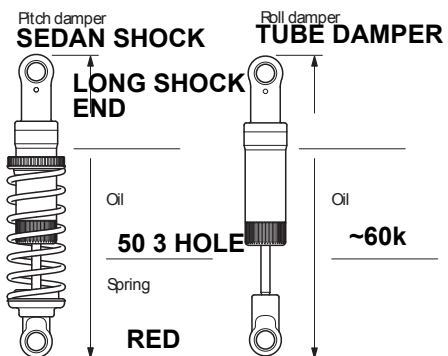
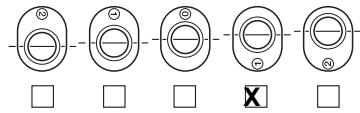
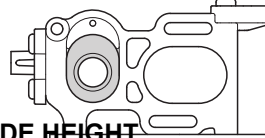


Upright spacer **4MM**

Rebound stroke

.5MM OVER RIDE HEIGHT

Rear ground clearance



Motor	SPEED PASSION	MM	85	T	Pinion gear	32	T
	+50 BOARD - 40* TIMING						
Front wheel	TAMIYA	Front tire	0571	Front tire diameter			
Rear wheel	TAMIYA	Rear tire	0572	Rear tire diameter			
Body	MCLAREN	Front wing	MCLAREN	Rear wing	MCLAREN		
Battery	LOSI 3800 SHORT	Best lap	10.7				

Memo **REAR DROOP SHOULD BE 1-1.5MM, 2MM IS PROBABLY MAX**
10.7 IS .2 FASTER THAN I HAVE EVER GONE @ HARBOR THIS LAYOUT